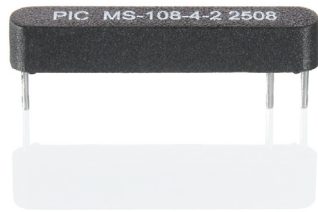


MS-108-4



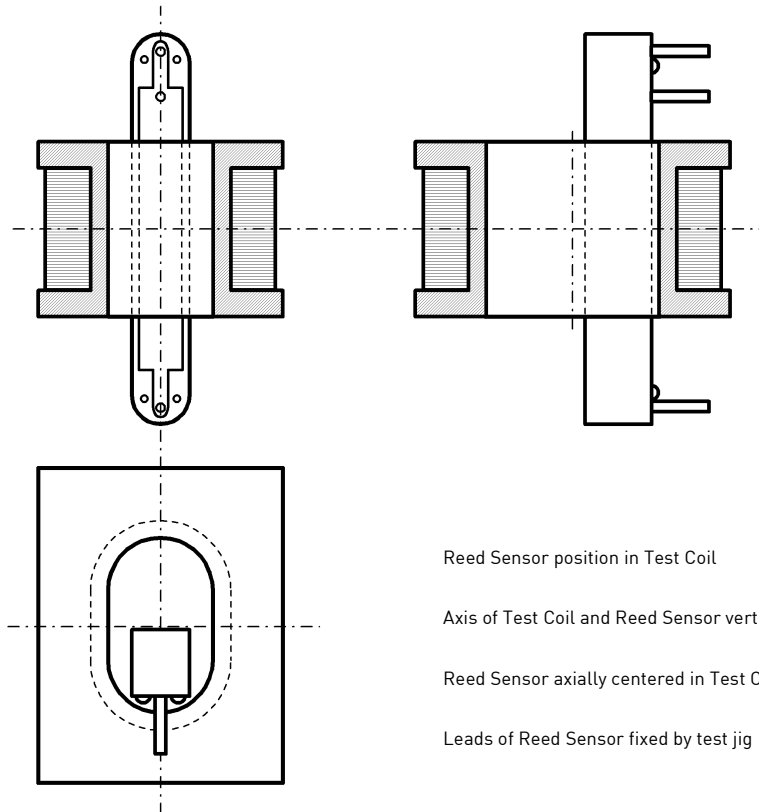
MS-108-4

Form C Reed Sensor
pitch 20.32 mm

Material Information

	Material	Colour
Housing	PA-GF	black
Potting compound	Epoxy	black

Test Procedure of final Reed Sensor



Test Parameters

Test coil	TC-307
Test programs	
AT range	Test program
2 =	MS-108-4-2
3 =	MS-108-4-3
4 =	MS-108-4-4

Remarks

When mounted onto ferromagnetic parts switching distance of MS-108-4 may reduce. Electromagnetical influences and magnetic fields may change the switching behaviour of the sensor.