

## MS-332-3



## MS-332-3

Standard Reed Sensor Flatpack

### Electrical Characteristics @ 25 °C

Contact form		A
Contact rating max.	W / VA	10
Switching voltage max.	VDC	200
	VAC	140
Switching current max.	A	1
Carry current max.	A	1.2
Breakdown voltage min.	VDC	240
Total resistance max. (initial)	mΩ	200
Insulation resistance min.	Ω	10 <sup>10</sup>

### Features

- Adjustable switching point
- Replaces various competitors types
- Various sensitivity ranges available
- Customized types available

### Magnetical Characteristics (of unmodified Reed Switch) @ 25 °C

Pull in range available	AT	10 - 25
Drop out min.	AT	4
Test coil	TC	014
Test equipment tolerance	± AT	2

### Approvals

RoHS

REACH

CE US

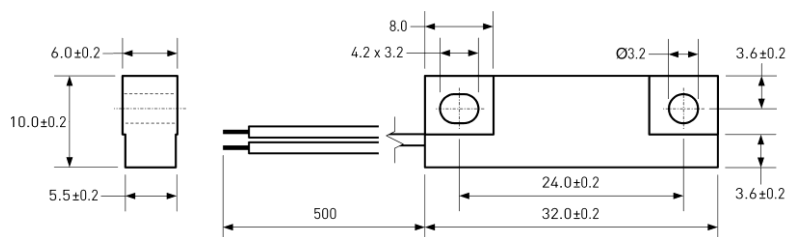
### Operating Characteristics (of unmodified Reed Switch) @ 25 °C

Switching frequency max.	Hz	500
Resonant frequency typ.	Hz	4000
Operate time max. (incl. bounce)	ms	1
Release time max.	ms	0.4

### Environmental Characteristics

Operating temperature	°C	-20 to +85
Vibration (50-2000 Hz)	g	20
Shock (1/2 sin 11 ms)	g	100

### Dimensions in mm



### Ordering Information

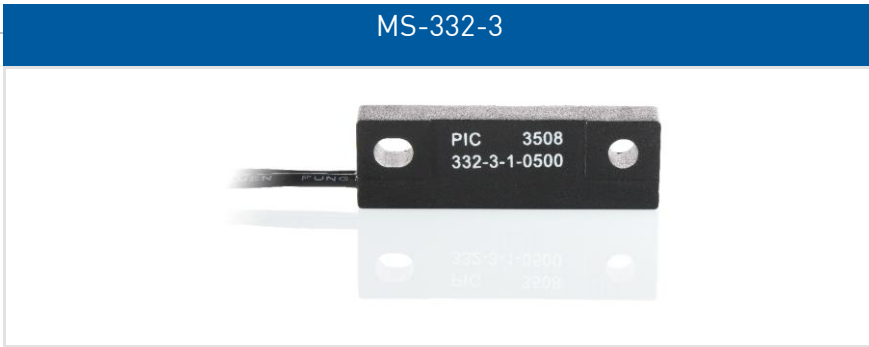
Packing Unit	50 pcs
Weight per piece	5.8 g
Weight per package	300 g
Standard AT Ranges	

- 1 = 10 to 15 AT
- 2 = 15 to 20 AT
- 3 = 20 to 25 AT

### Ordering Example

MS-332-3-2 describes MS-332-3 with 15 to 20 AT.

MS-332-3



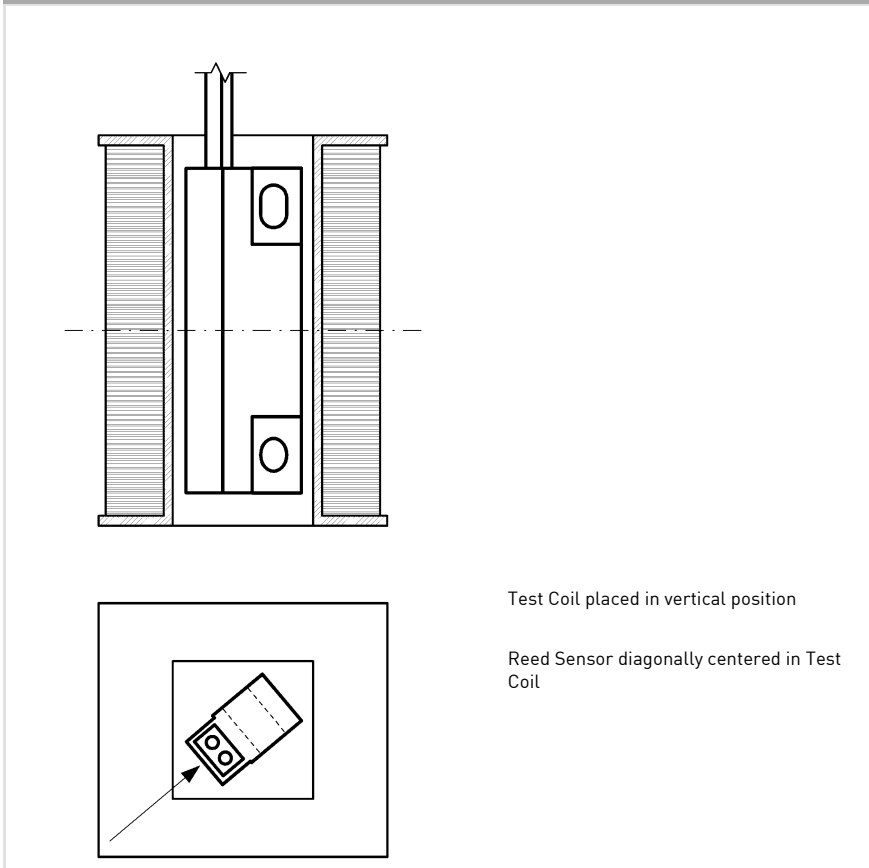
**MS-332-3**

Standard Reed Sensor Flatpack

Material Information

	Material	Colour
Housing	ABS	black
Cable	UL 1007/1569, AWG 24, 4 mm stripped and tinned	black
Potting compound	Epoxy	black

Test Procedure of final Reed Sensor



Test Parameters

Test coil	TC- 324
Test programs	
AT range	Test program
1 =	MS-332-3-1
2 =	MS-332-3-2
3 =	MS-332-3-3

Remarks

When mounted onto ferromagnetic parts switching distance of MS-332-3 may reduce.  
Electromagnetical influences and magnetic fields may change the switching behaviour of the sensor.

Only non-ferromagnetic screws to be used for mounting.

Matching actuator MSM-332 available as well.