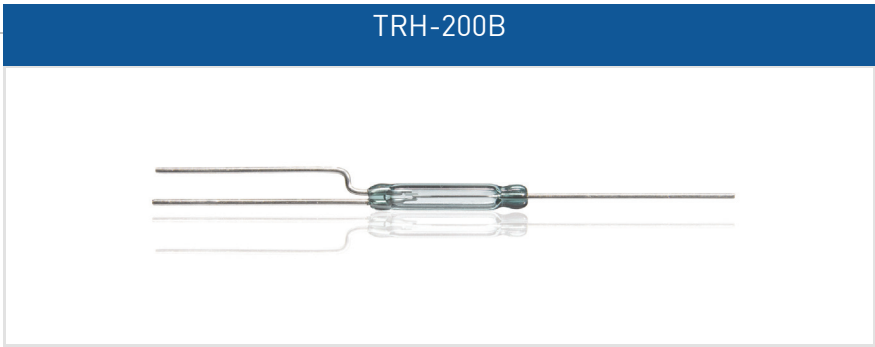


TRH-200B



**TRH-200B**  
Standard Form C Switch

Electrical Characteristics		@ 25 °C
Contact form		C
Contact material		Rh
Contact rating max.	W / VA	5
Switching voltage max.	VDC	175
	VAC	120
Switching current max.	A	0.25
Carry current max.	A	1.5
Breakdown voltage min.	VDC	200
Contact resistance max. (initial)	mΩ	100
Insulation resistance min.	Ω	10 <sup>9</sup>

Features
➤ Form C switch (change over type)
➤ Economic, compact size
➤ Standard size with 15 mm glass length
➤ Various sensitivity ranges available

Magnetical Characteristics (of unmodified Reed Switch)		@ 25 °C
Pull in range available	AT	15 - 30
Drop out min.	AT	5
Test coil	TC -	200
Test equipment tolerance	± AT	2

Approvals

**RoHS**

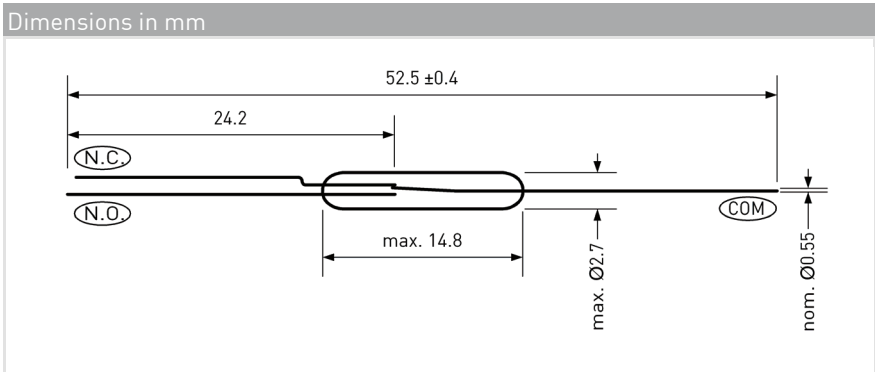
**REACH**

Operating Characteristics		@ 25 °C
Switching frequency max.	Hz	100
Resonant frequency typ.	Hz	1100
Operate time max. (incl. bounce)	ms	0.7
Release time max.	ms	1

Environmental Characteristics	
Operating temperature	°C -40 to +125
Vibration (50-2000 Hz)	g 30
Shock (1/2 sin 11 ms)	g 50

Life Expectancy			
Resistive load	Voltage	Current	Operations
	10 VDC	0.1 A	1 x 10 <sup>7</sup>
	24 VDC	0.001 A	5 x 10 <sup>6</sup>

Ordering Information	
Packing Unit	1000 pcs
Weight per piece	0.24 g
Weight per package	285.5 g
Standard AT ranges	
	15 to 20 AT
	20 to 25 AT
	25 to 30 AT



Ordering example  
TRH-200B1520 describes TRH-200B with 15 to 20 AT.